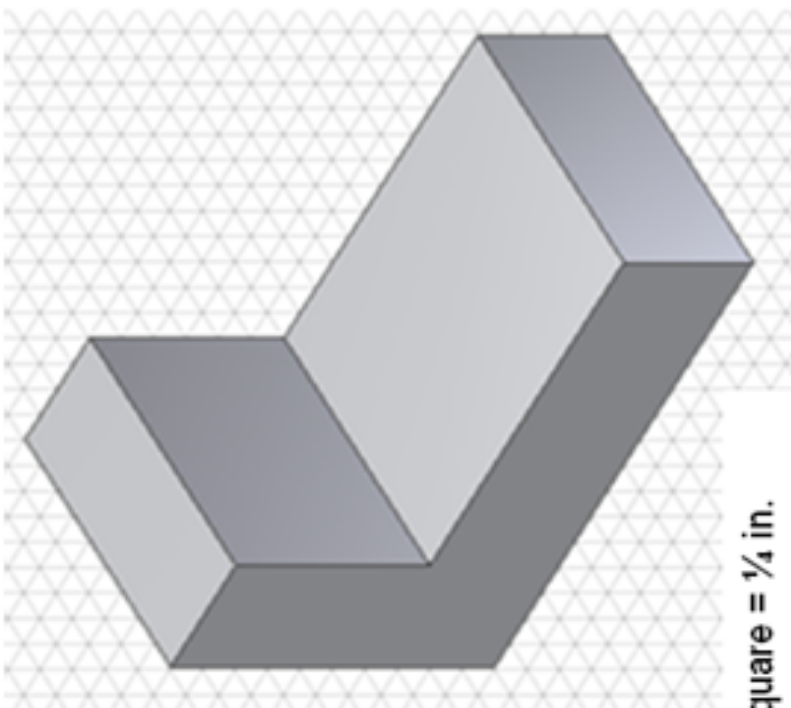
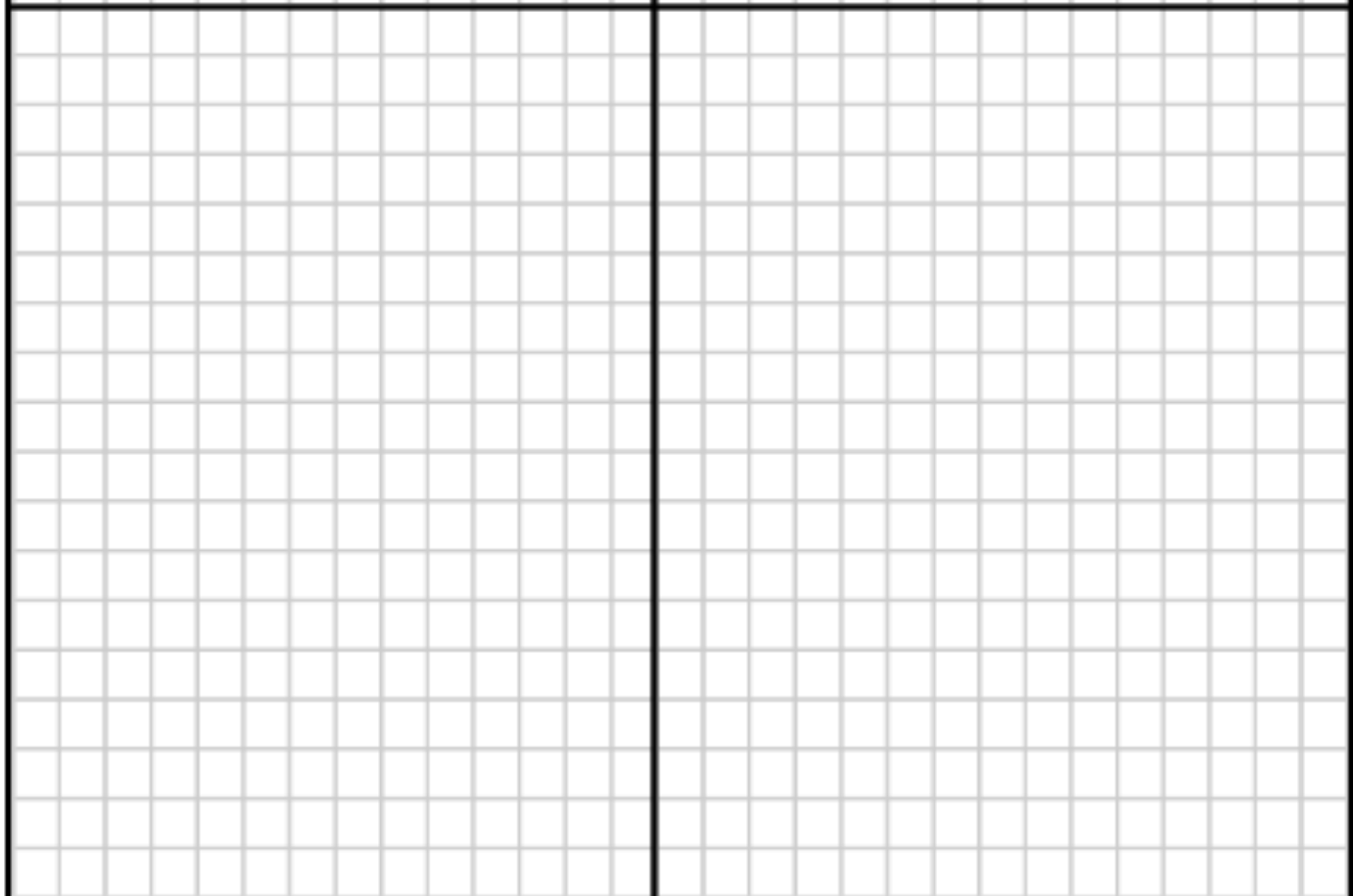


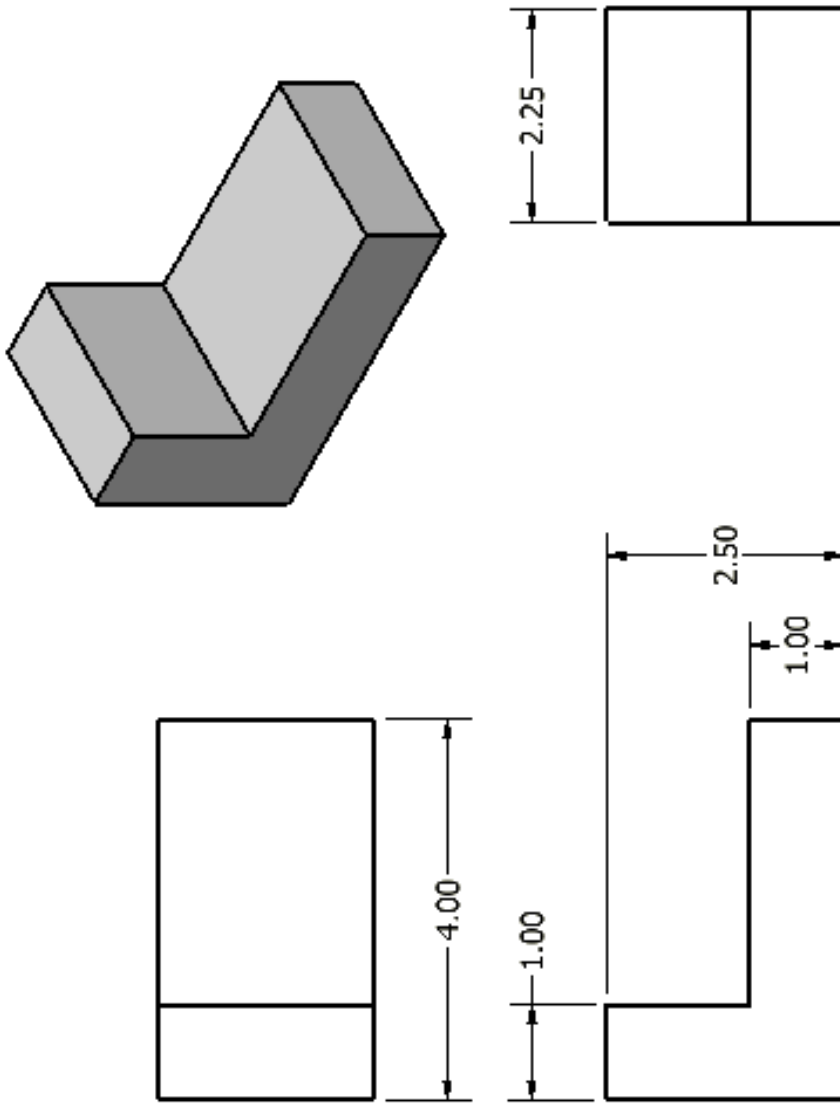
2016-17 PLTW Design and Modeling Pre Test | Part 2 (11 points)

You will create orthographic drawings of objects and dimension them from the isometric sketches in both drawings below. Make sure you place the front view in the lower left corner, the top view directly above the front view in the upper left corner, and the right side view to the right of the front view in the lower right corner. Line up your sketches both horizontally and vertically. Add all of the dimensions necessary using the scale 1 square = $\frac{1}{4}$ in. Your dimension lines should have arrows at the end, and extension lines should not touch the object line.



1 square = $\frac{1}{4}$ in.





TOTAL 11 pts.

Each object drawn exactly the same with the right dimensions is 2 points

Each measurement written with arrow lines as shown is 1 point